

Product

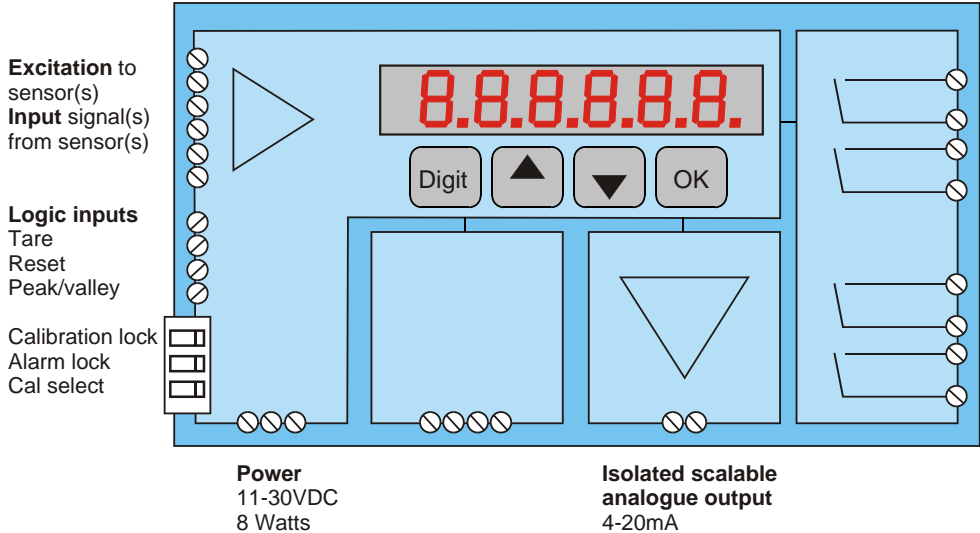
Panel Meter



A general purpose load cell display for 4 wire and 6 wire load cells, with a 10V excitation rated to 120mA. The unit features variable filtering/averaging, remote logic inputs for tare (force to zero), reset, peak and valley along with a rear panel security lock. The last digit is also selectable to count by 1,2,5,10,20 or 50. Alarm relays offer manual or automatic inflight correction. It is very easy to programme and commission and offers high precision with long term reliability.

- Easy to use
- Secure lockout system
- Clear, bright display
- Plug-in options for quick upgrades
- Calibration counter for audit trials

⊙ = Detachable screw terminal



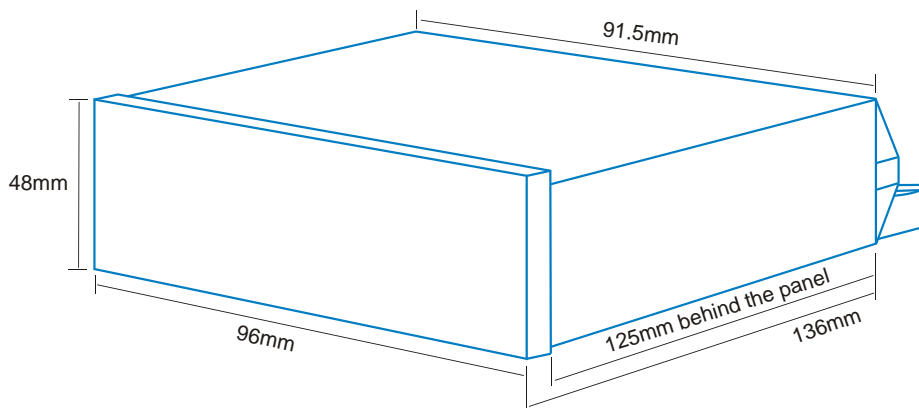
## Typical Specification

Input	4 wire load cell 10v 120mA
Analogue Output	4-20mA
Alarm	None
Serial Data Output	None
Display Colour	Red
Voltage Supply	11-30VDC
Enclosure	IP67

## Power Supply

Input	115/230V ac autoselect
Output	24 - 28 VDC, 90 -100 W
Size	73 x 75 x 103mm

1/8 DIN format case, black polycarbonate, IP65 front.



Depth behind panel 125mm max, including cables.  
350 grammes typical weight

Strainstall UK Ltd  
9-10 Mariners Way  
Cowes  
Isle of Wight  
PO31 8PD

Tel: +44 (0)1983 203600  
Fax: +44 (0)1983 291335  
Email: [sales@strainstall.co.uk](mailto:sales@strainstall.co.uk)  
Website: [www.strainstall.com](http://www.strainstall.com)