



The Type 6265 strain ring has been designed specifically for deep water use on offshore platforms, although it can also be used on other large steel structures. It enables a load monitoring system to be installed and replaced without disturbing or releasing load on the structure. The exterior casing of the strain ring is made completely of stainless steel (optionally super duplex) and sealed by welding, and the internal sensor is designed to match the characteristics of structural steel. With suitable cable or connectors the strain ring can be used permanently under seawater and can also be built with an internal amplifier.

- **Easy installation and removal**
- **Large \pm linear strain range**
- **Sealed for 100m immersion**
- **High accuracy**

In preparation for installation, strain ring mounting blocks are welded to the structure surface and accurately positioned using a simple rig (provided). The strain ring has captive screws with prominent hexagon heads that attach it securely to the mounting blocks. These features enable the strain ring to be installed and replaced by a diver if necessary, and also make it ideal for retrofitting to existing structures where strain gauging or load cells would be difficult to fit.

Its unique characteristics make the Type 6265 far superior in accuracy and versatility to all other 'bolt on' designs.

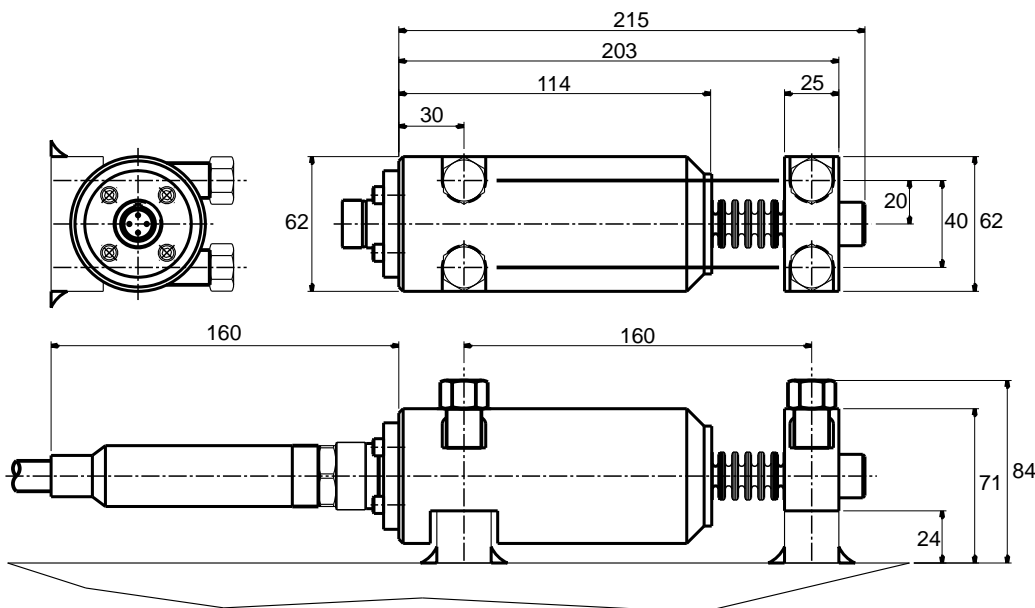
Product

Type 6265 Sealed Strain Ring



The World of Load
Measurement and
Stress Analysis

Type	Strain sensor
Material	Stainless or Super Duplex Steel
Encapsulation	All welded (except cable connector)
Linear Surface Range	± 800 microstrain
Sensor Output	1mV/V @ 800 microstrain / 4 to 20mA
Linearity (typically)	$\pm 0.2\%$
Recommended Excitation Voltage	+1V to +5V
Bridge Resistance	350 ohm
Shear on Mounting @ 800 Microstrain	300N
Current Consumption	14mA @ 5V (plus amplifier)
Operating Temperature	-15 to +80°C
Pressure Limit	100m water depth
Cable Length & Type	As specified



Straininstall UK Ltd
9-10 Mariners Way
Cowes
Isle of Wight
PO31 8PD

Tel: +44 (0)1983 203600
Fax: +44 (0)1983 291335
Email: sales@straininstall.com
Website: www.straininstall.com