



Strainstall

THE WORLD of **load measurement and stress analysis**

**Product**

**Compression Load Cells**



This series of load cells are ideal for applications where high accuracy is important or where height is limited. Being of a low profile this sensor has a high resistance to offset loads. This is especially useful when used in industrial weighing applications where true central loading cannot be guaranteed.

- **Type 2800 Load ratings 100 kg to 20 te**
- **Type 3356 Load ratings 10 te to 50 te**
- **Type 3357 Load ratings 40 te to 100 te**
- **Stainless Steel Welded Construction**
- **High Resistance to Offset Loads**
- **Ideal for Industrial Vessel Weighing and Test Rig Applications**
- **High Accuracy**

The other major characteristic of this series is its versatility. They can be supplied with centrally bored or tapped holes for specialised installations (test rigs, etc) and can also be used for bi-directional measurement. This stainless steel load cell is of an all-welded construction providing a high degree of protection against dust and water. Thus, the 2800 and its derivatives can be used in the most aggressive of environments.

The standard fixing arrangement is via six counter bored holes, often via an optional base plate. This allows the load cell to become an integral part of the structure that it is monitoring.

As with all of the Company's Load Cells, they can be used singly or in sets, together with Strainstall's extensive range of standard and special instrumentation packages. It is supplied with a full certificate of calibration.

[www.strainstall.com](http://www.strainstall.com)

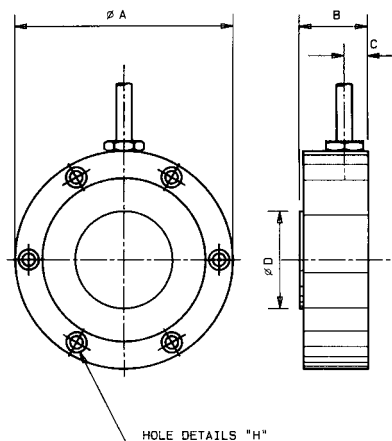


## Typical Specification

Rated Load	100kg to 100 tonne
Proof Load	150% of rated load
Ultimate Load	250% of rated load
Rated Output	1.5m – 2.0 mV/V as stated on calibration certificate. Cells supplied in sets will have outputs matched to $\pm 0.25\%$
Recommended Excitation Voltage	10V
Maximum Excitation Voltage	15V
Zero Balance	$\pm 2\%$ of rated load
Bridge Resistance	700 ohm nominal
Insulation Resistance	>2G.Ohm @ 100V
Accuracy	$\pm 0.15\%$ of output at rated load, maximum $\pm 0.20\%$ . As calibrated in a BS EN ISO 7500-1 test machine traceable to National Standards.
Non-Repeatability	0.05% of rated load
Zero Temperature Coefficient	$\pm 0.01\%$ of rated load per $^{\circ}\text{C}$ .
Span Temperature Co-efficient	$\pm 0.035\%$ of reading per $^{\circ}\text{C}$ .
Maximum Operating Temperature Range	-20 to $+80^{\circ}\text{C}$ .
Compensated Temperature Range	0 to $+60^{\circ}\text{C}$ .
Electrical Connection	Standard 3 metres 4 core screened cable. Nominal dimensions 8mm. Red +ve Supply. Green +ve Signal. Blue -ve Supply. Yellow -ve Signal.
Environmental Sealing	Equivalent to IP67.

**Note:** Where particular requirements are critical or load cells of a higher specification are required, we would be delighted to assist.

TYPE NUMBER	RATING (Kg)	A	B	C	D	IDLE DETAIL H
2800	100	112	25	11	50	SEE NOTE 1
2800	200	112	25	11	50	SEE NOTE 1
2800	500	112	25	11	50	SEE NOTE 1
2800	1000	112	25	11	50	SEE NOTE 1
2800	2000	112	25	11	50	SEE NOTE 1
2800	3000	112	25	11	50	SEE NOTE 1
2800	5000	112	25	11	50	SEE NOTE 1
2800	7000	112	35	11	50	SEE NOTE 1
2800	10000	112	35	11	50	SEE NOTE 1
2800	20000	112	35	11	50	SEE NOTE 1
3356	10000	150	45	12	60	SEE NOTE 2
3356	20000	150	45	12	60	SEE NOTE 2
3356	30000	150	45	12	60	SEE NOTE 2
3356	40000	150	45	12	60	SEE NOTE 2
3356	50000	150	45	12	60	SEE NOTE 2
3357	40000	184	53	12	70	SEE NOTE 3
3357	50000	184	53	12	70	SEE NOTE 3
3357	60000	184	53	12	70	SEE NOTE 3
3357	70000	184	53	12	70	SEE NOTE 3
3357	80000	184	53	12	70	SEE NOTE 3
3357	90000	184	53	12	70	SEE NOTE 3
3357	100000	184	53	12	70	SEE NOTE 3



- NOTES.
1. 6 OFF FIXING HOLES 6.5 DIA. C'BORE 10.5 DIA x 6.5 DEEP EQUI-SPACED ON 98.0 PCD.
  2. 6 OFF FIXING HOLES 12.5 DIA. C'BORE 18.5 DIA x 12.5 DEEP EQUI-SPACED ON 122.0 PCD.
  3. 6 OFF FIXING HOLES 16.5 DIA. C'BORE 25.0 DIA x 16.5 DEEP EQUI-SPACED ON 146.0 PCD.

Dimensions in mm.

Due to continuous development, Straininstall UK reserve the right to change specification without notice.

STRAININSTALL's team of experienced engineers operates from offices in Cowes, Bath and Aberdeen (UK) and Tønsberg (Norway). For further information, please contact:

**Straininstall UK Ltd.**  
9-10 Mariners Way  
Cowes  
Isle of Wight PO31 8PD  
United Kingdom

Tel: **+44(0)1983 203600**  
Fax: **+44(0)1983 291335**  
Email: [sales@straininstall.com](mailto:sales@straininstall.com)

[www.straininstall.com](http://www.straininstall.com)